



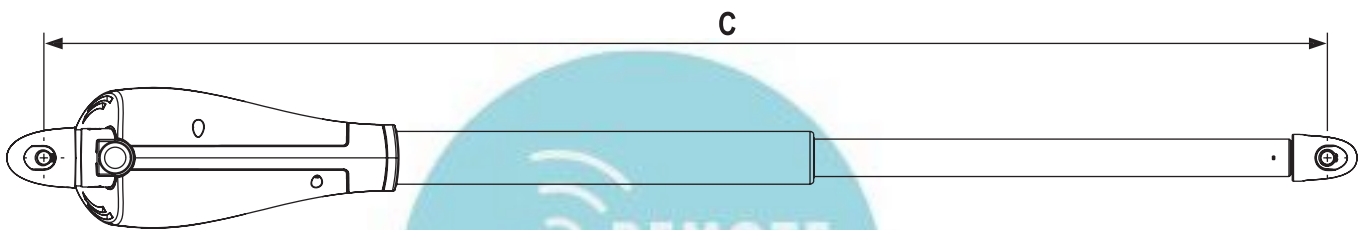
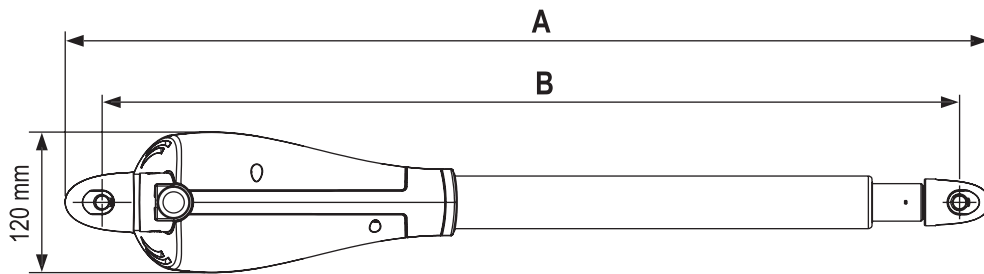
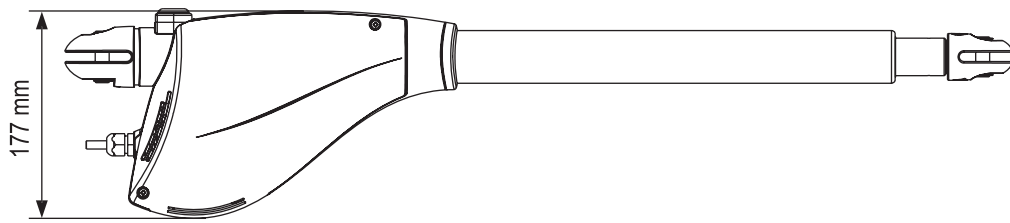
Value moves the world



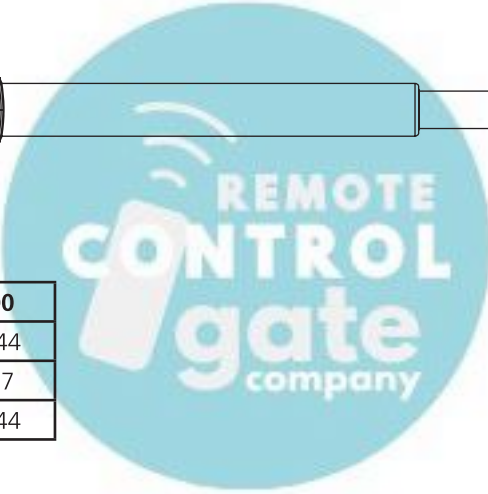
IL 186
EDIZ. 16/02/2016

CALYPSO

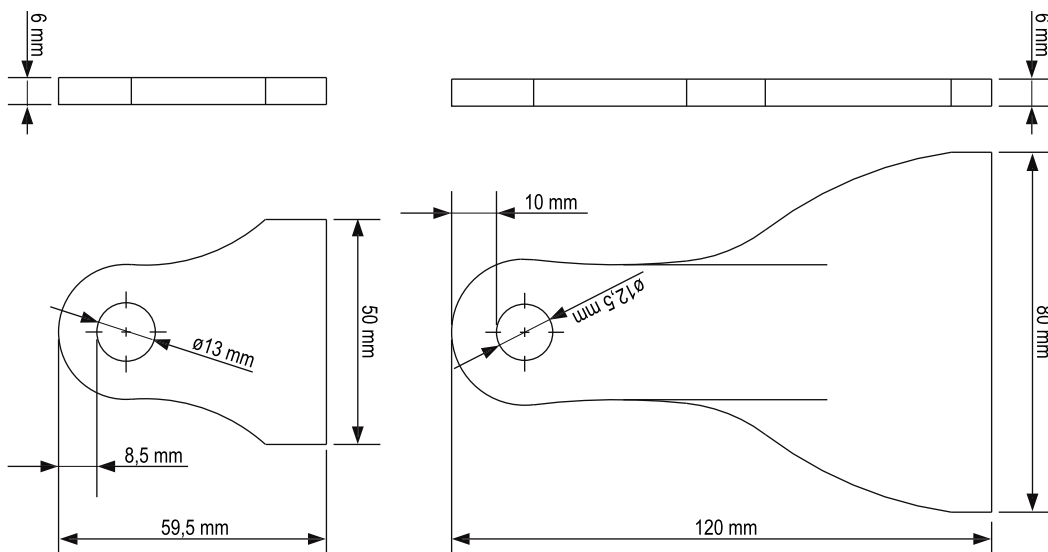
- I**
ATTUATORE ELETTROMECCANICO
IRREVERSIBILE PER CANCELLI A
BATTENTE
- GB**
IRREVERSIBLE
ELECTROMECHANICAL
ACTUATOR FOR SWING GATES
- F**
OPERATEUR ELECTROMECHANIQUE
IRREVERSIBLE POUR PORTAILS
BATTANTS
- E**
OPERADOR ELECTROMECÁNICO
IRREVERSIBLE PARA CANCELAS
BATIENTES
- P**
ACTUADOR ELECTROMECÁNICO
IRREVERSÍVEL PARA PORTÕES DE
BATENTE
- D**
NICHT UMKEHRBARER
ELEKTROMECHANISCHER
ANTRIEB FÜR FLÜGELTORE
- NL**
ELEKTROMECHANISCHE,
ONOMKEERBARE LINEAIRE
MOTOR VOOR HEKKEN MET
VLEUGELS
- PL**
ELEKTROMECHANICZNY
NIEODWRACALNY
SIŁOWNIK DO BRAM
SKRZYDŁOWYCH
- H**
VISSZAFORDÍTHATATLAN
ELEKTRO-MECHANIKUS
MŰKÖDTETŐ LENGŐ KAPUKHOZ
- 



CALYPSO	400	500	600
A	819	944	1044
B	762	887	987
C	1162	1387	1644



remotecontrolgates.co.uk



EU DECLARATION OF CONFORMITY AND DECLARATION OF INCORPORATION OF PARTLY COMPLETED MACHINE

**Declaration in accordance with Directives: 2014/35/UE (LVD);
2014/30/UE (EMC); 2006/42/CE (MD) ANNEX II, PART B**

The manufacturer (*) V2 S.p.A., headquarters in Corso Principi di Piemonte 65, 12035, Racconigi (CN), Italy

Under its sole responsibility hereby declares that:
the partly completed machinery model(s):
CALYPSO400-230V (*), CALYPSO500-230V (*)
CALYPSO600-230V (*)
CALYPSO400-120V (*), CALYPSO500-120V (*)
CALYPSO600-120V (*)
CALYPSO400-24 (*), CALYPSO500-24V (*)

Description: electromechanical actuator for gates

- is intended to be installed on gates, to create a machine according to the provisions of the Directive 2006/42/EC. The machinery must not be put into service until the final machinery into which it has to be incorporated has been declared in conformity with the provisions of the Directive 2006/42/EC and 89/106/CE.
- is compliant with the applicable essential safety requirements of the following Directives:
Machinery Directive 2006/42/EC (annex I, chapter 1)
Low Voltage Directive 2014/35/EU
Electromagnetic Compatibility Directive 2014/30/EU
Directive ROHS2 2011/65/CE

The relevant technical documentation is available at the national authorities' request after justifiable request to:
V2 S.p.A., Corso Principi di Piemonte 65, 12035, Racconigi (CN), Italia

The person empowered to draw up the declaration and to provide the technical documentation:

Giuseppe Pezzetto
Legal representative of V2 S.p.A.
Racconigi, il 01/06/2015



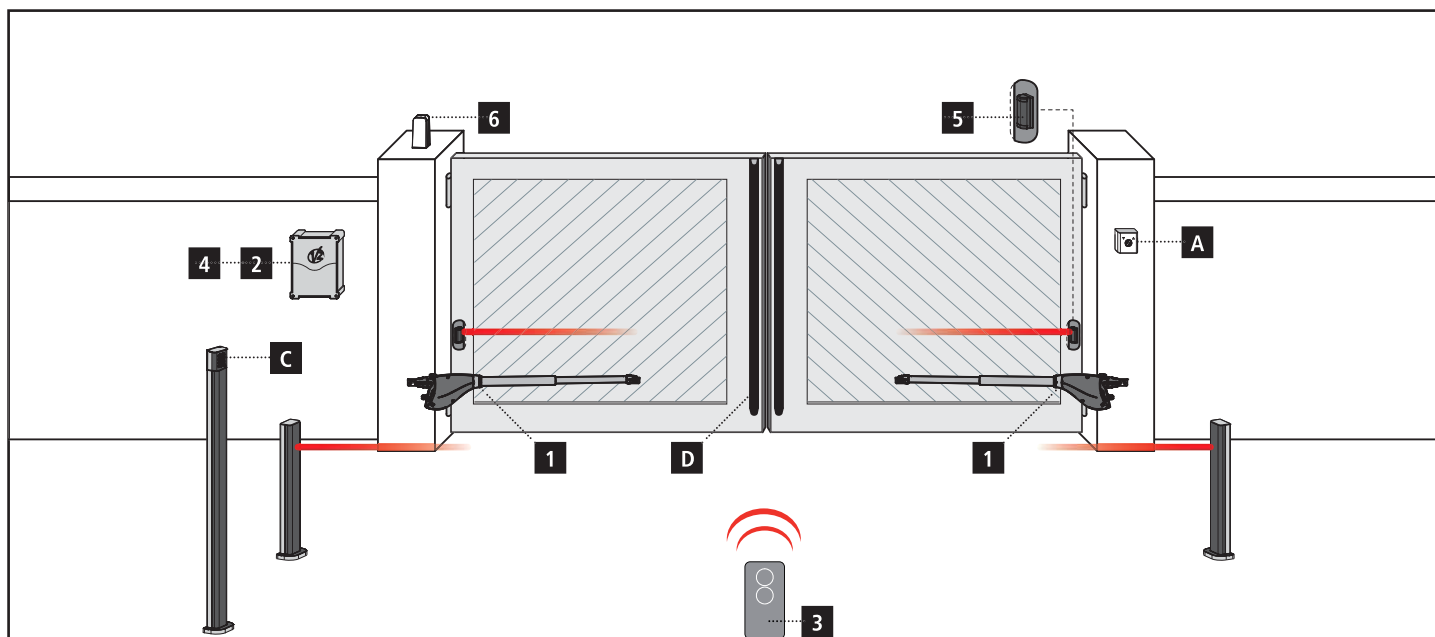
(*) made in extra EU Countries on behalf of V2 S.p.A.



TECHNICAL DATA

		CALYPSO 400-230V	CALYPSO 500-230V	CALYPSO 600-230V	CALYPSO 400-120V	CALYPSO 500-120V	CALYPSO 600-120V	CALYPSO 400-24V	CALYPSO 500-24V
Max. leaf length	m	2,5	3	4	2,5	3	4	2,5	3
Max. leaf weight	Kg	400	500	500	400	500	500	300	400
Power supply	Vac - Hz	230 - 50	230 - 50	230 - 50	120 - 60	120 - 60	120 - 60	24 Vdc	24 Vdc
Idling current	A	0,8	0,8	0,8	2	2	2	0,5	0,5
Full load current	A	1,2	1,2	1,2	2,8	2,8	2,8	6	6
Electric power	W	200	200	200	300	300	300	-	-
Opening time of the leaf 0÷90°	s	22	25	30	22	25	30	22	27
Capacitor	µF	8	8	8	25	25	25	-	-
Max travel	mm	400	500	600	400	500	600	400	500
Operating speed	m/s	0,016	0,016	0,016	0,018	0,018	0,018	-	-
Maximum thrust	N	2300	2300	2300	2300	2300	2300	1500	1500
Working temperature	°C	-30 ÷ +50	-30 ÷ +50	-30 ÷ +50	-30 ÷ +50	-30 ÷ +50	-30 ÷ +50	-30 ÷ +50	-30 ÷ +50
Protection	IP	44	44	44	44	44	44	44	44
Working cycle	%	30	30	30	30	30	30	90	90
Motor weight	Kg	6,5	6,8	7,1	6,5	6,8	7,1	6,3	6,6

INSTALLATION LAYOUT



COMPONENTS

- 1** Motor
- 2** Control unit
- 3** Transmitter
- 4** Receiving module
- 5** Photocells
- 6** Flashing light

ADDITIONAL ACCESSORIES

- A** Key switch
- B** Pillar photocells
- C** Pillar-mounted digital radio switch
- D** Safety edges
- E** ECO-LOGIC system (only with CALYPSO-24V and CITY2+BC)

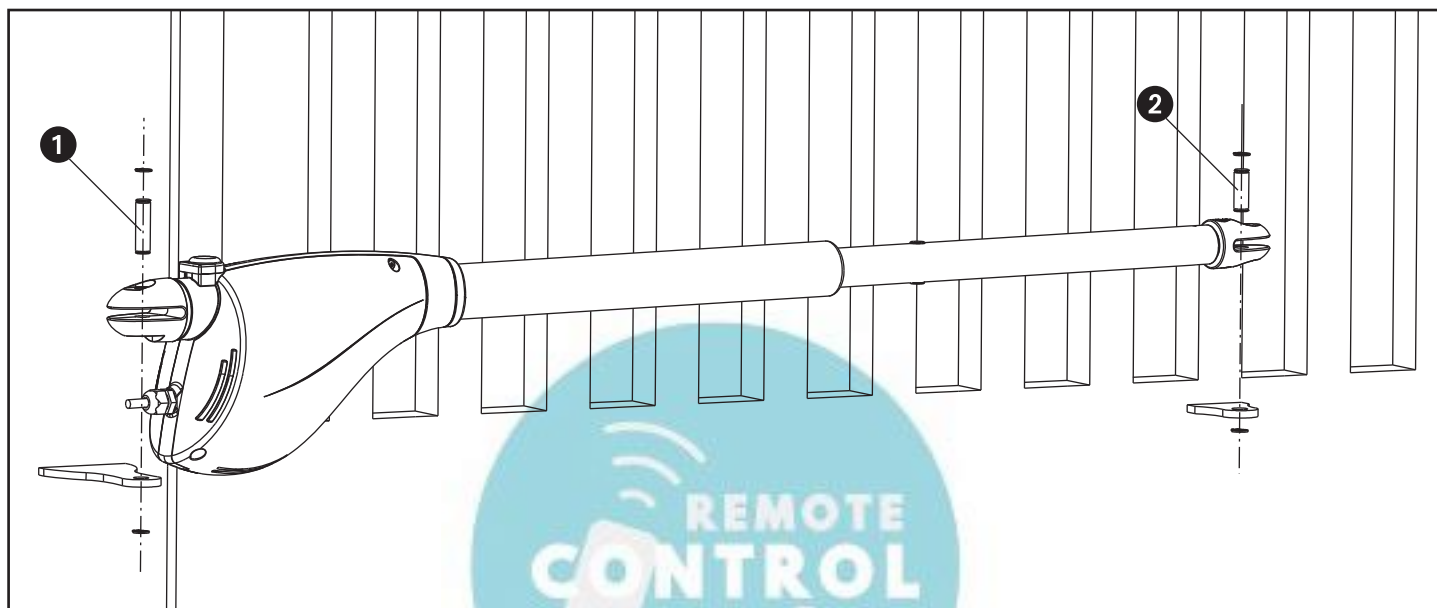
LENGTH OF THE CABLE	< 10 metres	from 10 to 20 metres	from 20 to 30 metres
230V motor power supply	3G x 1,5 mm ²	3G x 1,5 mm ²	3G x 2,5 mm ²
24V motor power supply	4G x 1,5 mm ²	4G x 1,5 mm ²	4G x 2,5 mm ²
Photocells (TX)	2G x 1,5 mm ²	2G x 1,5 mm ²	2G x 2,5 mm ²
Key switch	2 x 0,5 mm ²	2 x 0,5 mm ²	2 x 0,5 mm ²
Photocells (RX)	4 x 0,5 mm ²	4 x 0,5 mm ²	4 x 0,5 mm ²
Flashing light	2 x 0,5 mm ²	2 x 0,5 mm ²	2 x 0,5 mm ²
Safety edges	2 x 0,5 mm ²	2 x 0,5 mm ²	2 x 0,5 mm ²
Antenna (integrated into the flashing light)	2 x 1,5 mm ²	2 x 1,5 mm ²	2 x 1,5 mm ²
ECO-LOGIC (accumulator unit)	RG174	RG174	RG174
ECO-LOGIC (solar panel)	2 x 1,5 mm ²	-	-
Power supply (230V)	2 x 1 mm ²	-	-

INSTALLATION MEASURES

To carry out a proper installation of the operator parts as well as to ensure the best automation performance, the measurement levels shown in the following table shall be complied with. Change the gate structure to adapt it to one of the cases in the table, if necessary.

- For the installations OPENING TOWARDS THE INSIDE, refer to the table at page 56-57
- For the installations OPENING TOWARDS THE OUTSIDE, refer to the table at page 58-59

! WARNING: In the case of leaf longer than 2 metres, an electric lock must be fitted to ensure an efficient closing



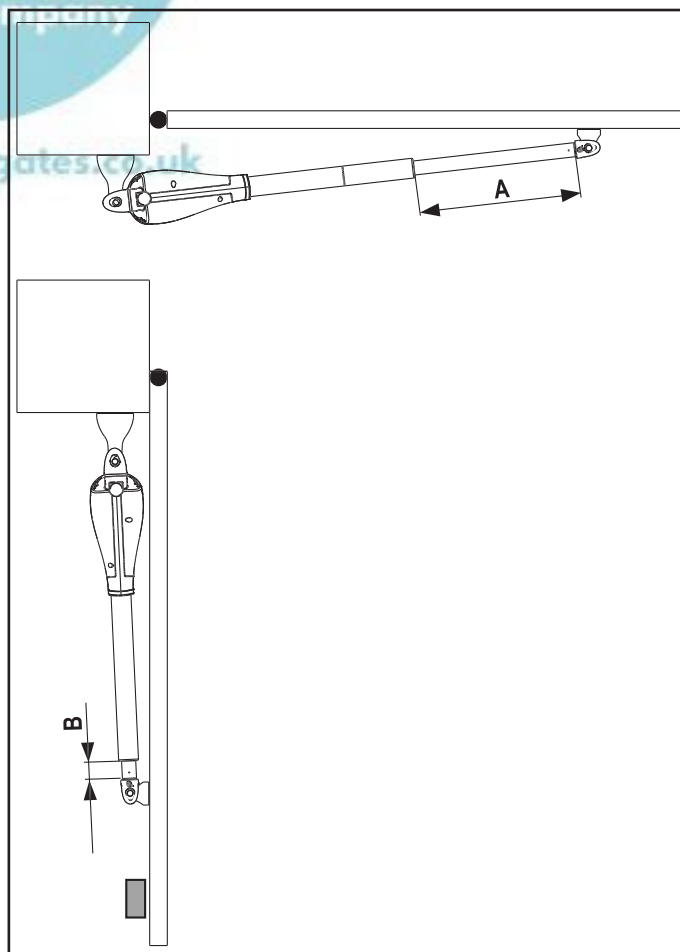
ACTUATOR FIXING

Choose measures referring to the table you can find in the previous page, mark them on the pillars and continue as follows:

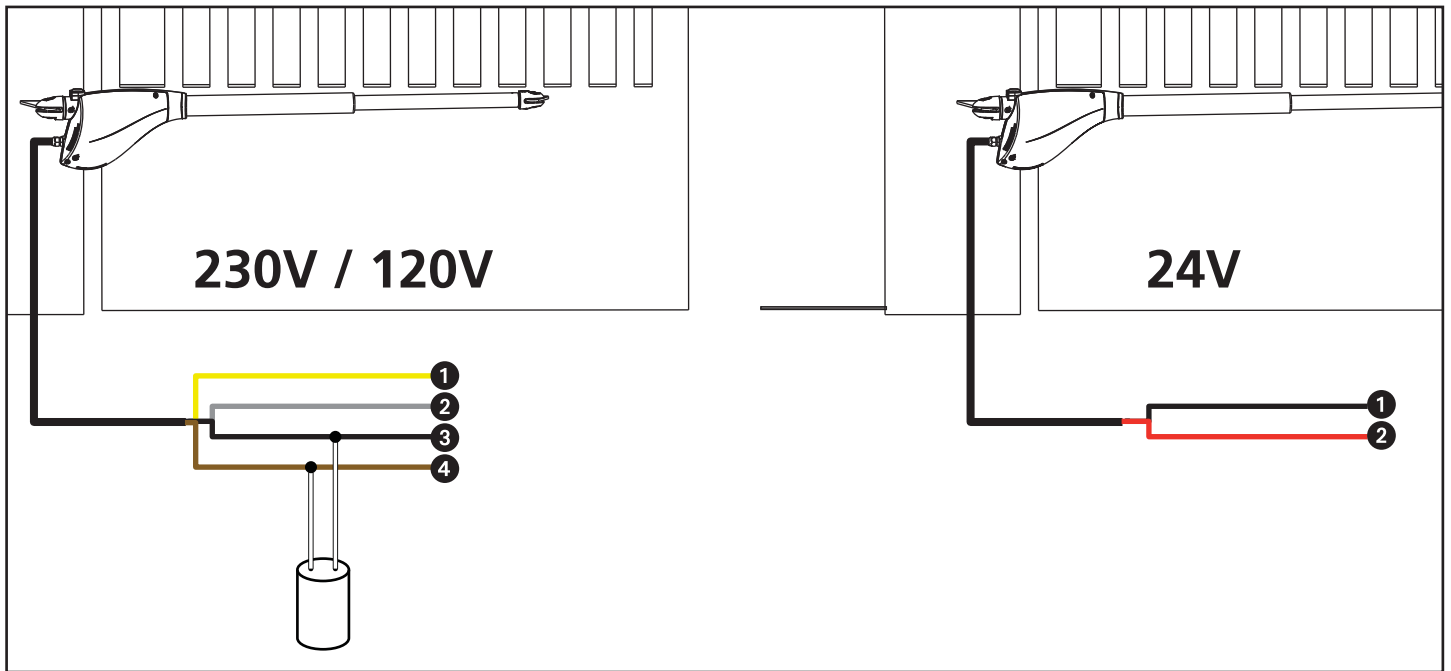
- Fix the clamps to the pillar and to the gate soldering directly; if the material does not allow it, it is necessary to solder the clamps to plates to be fixed to the gate and the pillars by screws.
- Close the swing.
- Unlock the actuators.
- Position CALYPSO on the brackets and fix the pins no. 1 and no. 2 with seeger (see the picture).
- Open and close the swings repeatedly manually to verify the absence of frictions between gate and ground.

! WARNING: in order to avoid damage to the actuator, please adhere to the following conditions:

- The brackets must be installed at the same height.
- In case of gate completely closed the maximum stroke of arm **A** should not exceed:
 - 456 mm (CALYPSO400)
 - 556 mm (CALYPSO500)
 - 625 mm (CALYPSO600)
- The minimum stroke of arm **B** must be more than 56 mm (in case of gate completely open).



ELECTRICAL CONNECTIONS



	230V	120V	FUNCTION
1	YELLOW - GREEN	GREEN	GND
2	GREY	WHITE	COMMON
3	BLACK	BLACK	CLOSING
4	BROWN	RED	OPENING

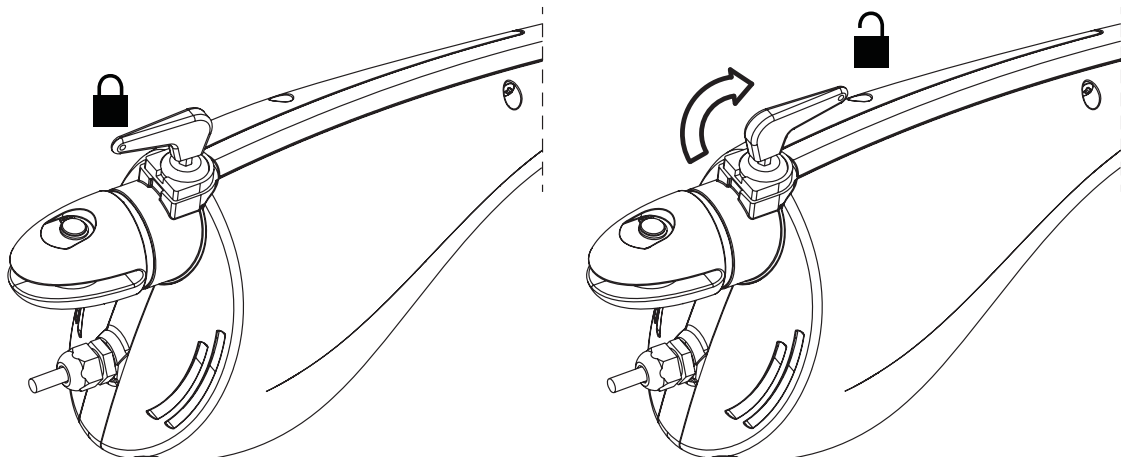
	24V	FUNCTION
1	BLACK	CLOSING
2	RED	OPENING

⚠ WARNING: always remember to connect the earth according to current standards (EN 60335-1, EN 60204-1). Avoid tension in the cable during open and close operations.

remotecontrolgates.co.uk

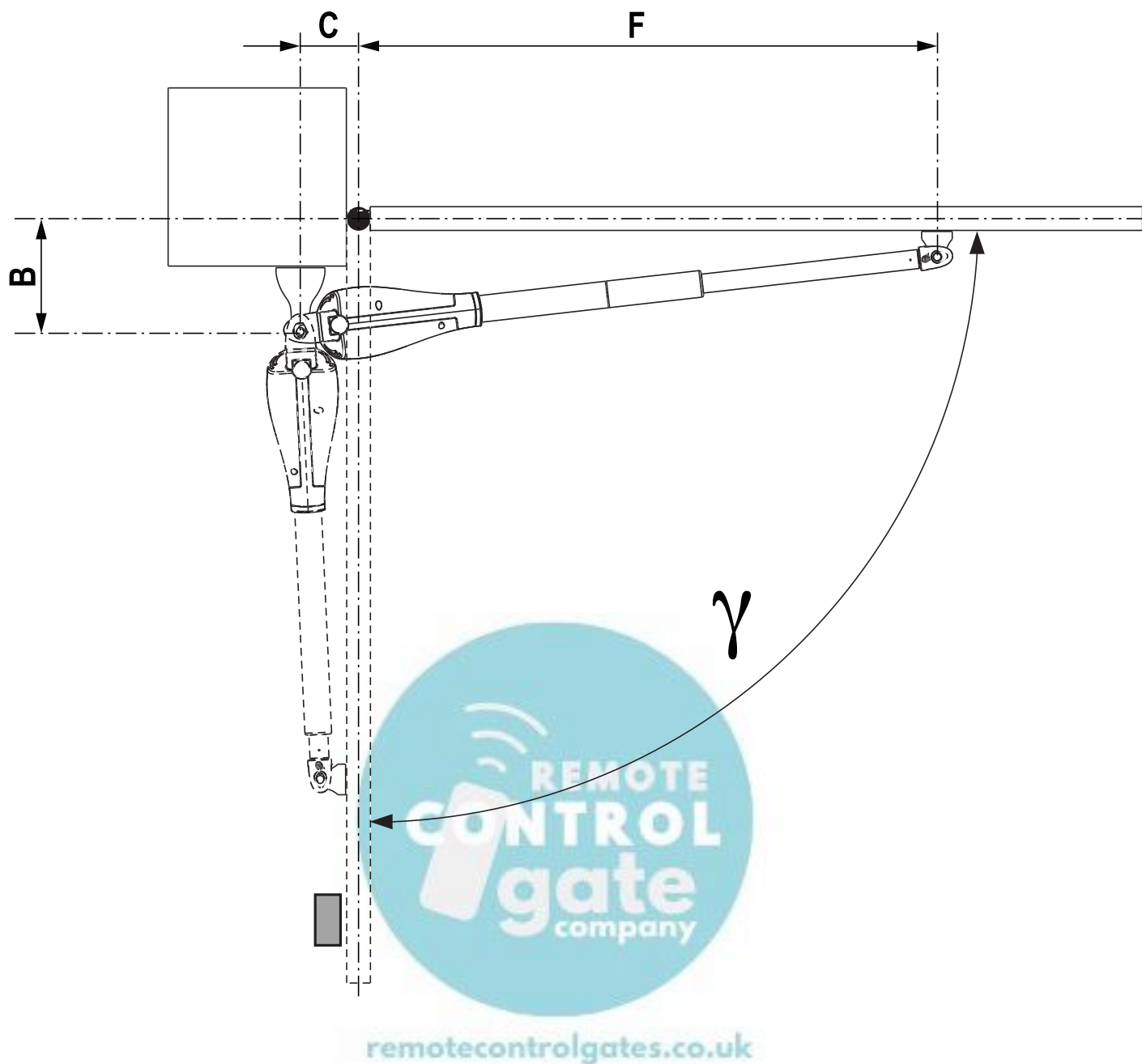
EMERGENCY RELEASE

In case of a blackout, the gate can be operated directly from the motor. Insert the key supplied in the lock, perform 1/2 of a turn. To restore the automation, simply rotate the key in closed position and insert the provided plastic cover onto the lock.





remotecontrolgates.co.uk



CALYPSO 400

γ max	B [mm]	C [mm]	F [mm]
90°	130	130	1010
	150	140	1000
	170	150	990
	190	150	980
	200	150	980
	210	140	980
	250	120	1010

γ max	B [mm]	C [mm]	F [mm]
100°	130	170	970
	150	180	960
	170	180	960
	190	170	970
	210	140	990

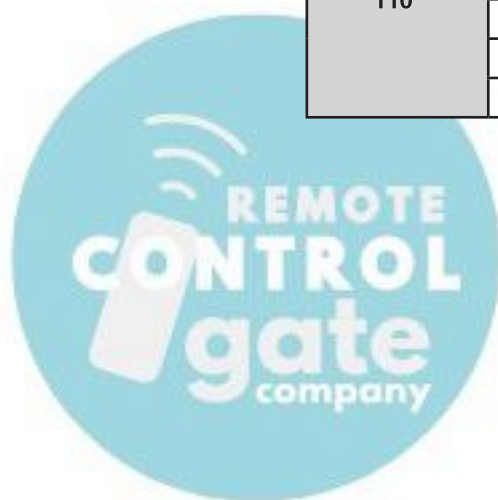
γ max	B [mm]	C [mm]	F [mm]
110°	130	190	950
	150	180	960
	160	170	970

CALYPSO 500

γ max	B [mm]	C [mm]	F [mm]
90°	130	170	1200
	150	180	1190
	170	180	1190
	190	190	1180
	210	190	1170
	230	190	1170
	250	180	1170
	270	190	1170
	290	170	1180

γ max	B [mm]	C [mm]	F [mm]
100°	130	160	1210
	150	170	1200
	170	170	1200
	200	180	1190
	210	170	1190
	230	190	1170
	250	180	1180
	270	160	1200
	280	160	1200

γ max	B [mm]	C [mm]	F [mm]
110°	130	170	1200
	150	180	1190
	170	180	1190
	190	190	1180
	210	200	1170
	220	200	1170



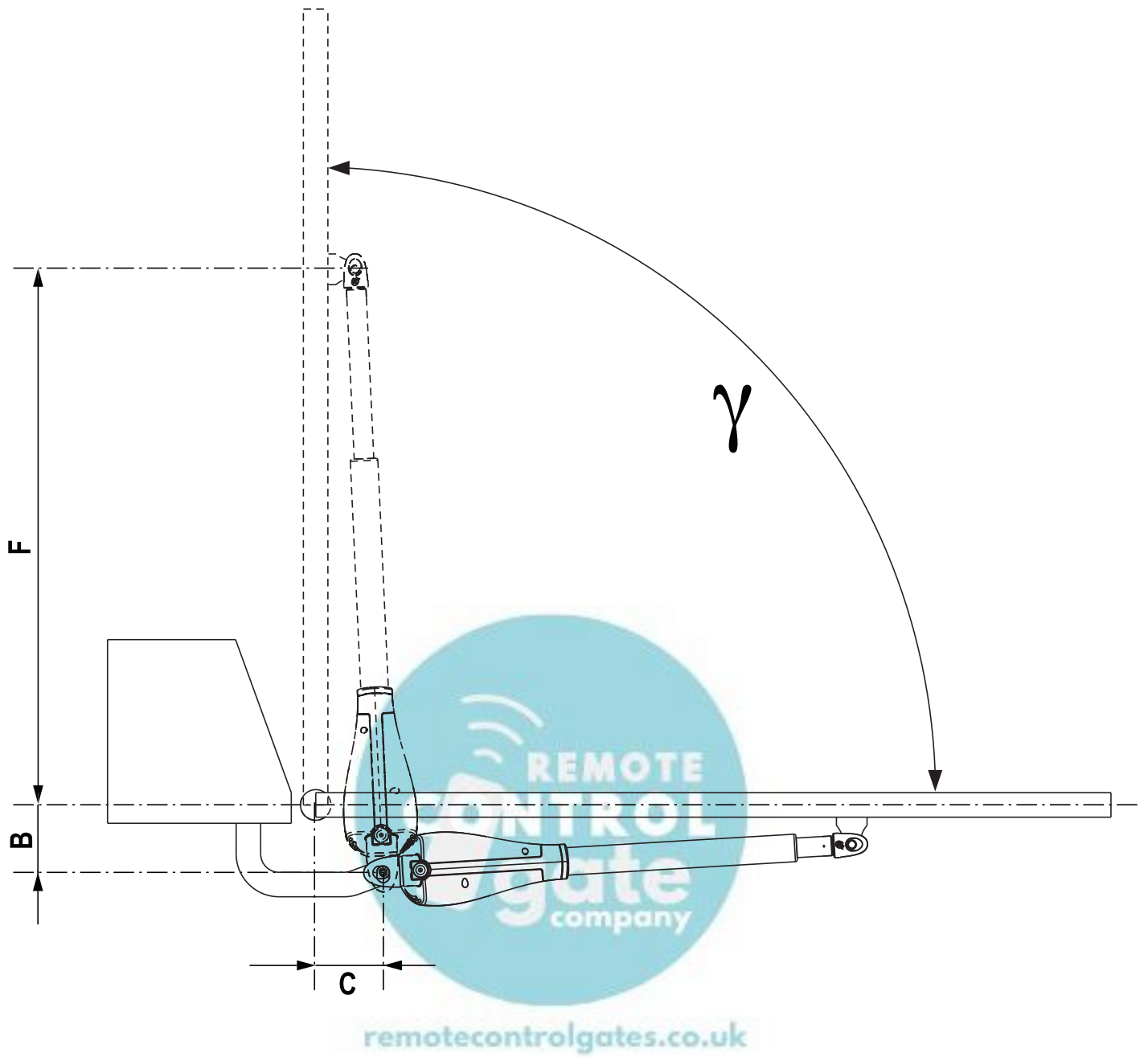
remotecontrolgates.co.uk

CALYPSO 600

γ max	B [mm]	C [mm]	F [mm]
90°	295	280	1290
	315	295	1300
	335	265	1310

γ max	B [mm]	C [mm]	F [mm]
110°	195	200	1370
	215	220	1360
	235	235	1350
	255	250	1335

γ max	B [mm]	C [mm]	F [mm]
100°	175	190	1390
	195	200	1370
	215	220	1360
	235	235	1350
	255	255	1330
	275	270	1300



CALYPSO 400

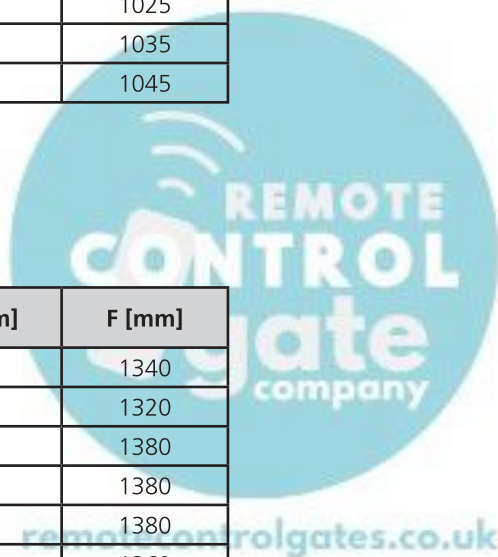
γ max	B [mm]	C [mm]	F [mm]
80°	110 ÷ 130	90	949
85°	110 ÷ 130	100	967
90°	110 ÷ 130	110	986
95°	110 ÷ 130	120	1006
100°	110 ÷ 130	130	1027
110°	110 ÷ 130	140	1057

CALYPSO 500

γ max	B [mm]	C [mm]	F [mm]
80°	130	100	995
85°	130	110	1005
90°	130	120	1015
95°	130	130	1025
100°	130	140	1035
110°	130	150	1045

CALYPSO 600

γ max	B [mm]	C [mm]	F [mm]
100°	200	200	1340
	220	220	1320
110°	130	130	1380
	140	140	1380
	160	160	1380
	180	180	1360





remotecontrolgates.co.uk



remotecontrolgates.co.uk